



UNLEASH YOUR POTENTIAL

Warning: Indicates the inherent dangers and responsibility the user assumes when using a Non-stop dogwear product.

nonstopdogwear.com



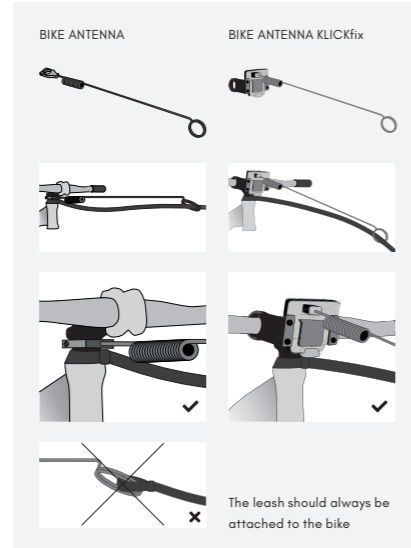
FAQ - CONTACT - QUESTIONS?

HEAD OFFICE
Non-stop dogwear AS
Høftevægen 395
2372 Brøttum
Norge

support@nonstopdogwear.com

BIKE ANTENNA

1 PRODUCTS



3 LIFE SPAN

| Frequency of use | Approximate durability |
|-----------------------|------------------------|
| Never used | Max 10 years |
| Once or twice a year | Up to 7 years |
| Several times a month | Up to 3-5 years |
| Daily or every week | Up to 2 years |

4 CLEANING



MAX 30°C

5 DRYING



6 STORAGE/TRANSPORT



MAX +55°C
MIN -35°C



NON-STOP DOGWEAR SAFETY GUIDELINES

Thank you for purchasing this Non-stop dogwear product. We highly appreciate your choice and wish you lots of pleasure using this product.

These safety guidelines must be carefully read and clearly understood. Keep this safety guidelines for the future.

As Non-stop dogwear cannot control the quality of products sold by unauthorized sellers, including unauthorized Internet sites, this safety instruction applies only to products that were sold by Non-stop dogwear or a Non-stop dogwear authorized retailer, unless otherwise prohibited by law.

Non-stop dogwear advises the correct use of the products: Therefore always follow these safety guidelines to ensure correct use of the products both for dogs and for humans. The warning symbols inform you of some potential dangers related to the use of your equipment. Only certain techniques and uses are described. Check nonstopdogwear.com for the most up-to-date information. Any misuse of this equipment could create additional danger. Contact Non-stop dogwear if you have any doubts or difficulty understanding these instructions.

WARNING

By using this product you accept and understand all the conditions, warnings and risks the use of the product might bring both for you and for your dog(s).

You alone are responsible for correct use of the product. It is your responsibility to use the product correctly and to make sure that the product is the right size for your dog taking into account the dogs physical measurements, the dogs weight and the weather conditions when using the product.

Incorrect use can lead to serious damage or even death.

The dog should never handle the product without supervision by the owner or another responsible adult. Dogs are, as a common rule, not able to understand risks or to avoid dangers. Therefore, dogs must never be left alone with any Non-stop dogwear products including, but not limited to, packaging at any time.

The risk of products being eaten by dogs or in other ways harming the dog is highly expected and must be prevented by making sure that the dog is not handling or left alone with products without adult human supervision.

Using Non-stop dogwear products will give an increase of excitement to the dog for activities. This in turn can cause a greater risk of danger to children. To reduce the risk of danger, make sure the dog is always under control before activity with children. Therefore, make sure that the eagerness of the dog does not endanger other humans or animals.

The product must not be used in other situations or conditions than those they are designed for.

If the product is bought second hand, you can never trust the product to fill its purpose and Non-stop dogwear will not be responsible.

The product must be inspected before and after each outing. The product shall not be used if the product is damaged due to misuse or excessive use, accidental damage, alteration or modifications to the product, or neglect, negligence, or improper care.

Dry the product thoroughly after each outing and store it in a dry, cool place out of direct sunlight and follow the care instructions specific to each product.

All use of Non-stop dogwear products in contradiction of the above described instructions are unacceptable and might be a threat to humans and dogs health and life.

Non-stop dogwear will under no circumstance have legal liability or legal responsibility for the use or the misuse of the products.

EN BIKE ANTENNA

BEFORE USE

Read the safety guidelines for Non-stop dogwear products carefully.

All kinds of use of Non-stop dogwear products in contradiction of the safety guidelines are unacceptable and might be a threat to humans and dogs life and health.

- Make sure that there is no damage to the bike antenna.
- Make sure there are no deformation or weakness of the bike antenna.
- Ensure that the bike antenna is not visibly worn, stretched, or harmed.
- Ensure that the bike antenna is correctly fastened and properly adjusted to the bike before use, according to illustration 1.
- Make sure that the temperature is not too warm or too cold before each outing with your dogs.

DURING USE

If deformation is detected on the bike antenna, or any other malfunctions of the bike antenna are detected, the bike antenna must not be used.

If injuries are found at the bike antenna, the bike antenna must not be used.

AFTER USE

- Clean the bike antenna.
- Check if any weaknesses or damages has occurred.
- Store the bike antenna according to the description on the website and due to the safety and security guidelines.

WARNING

This Non-stop dogwear product is designed for use by dogs only.

Challenges and threats that might occur when using the bike antenna:

- Use of the bike antenna not in accordance with the safety and security guidelines might cause injuries.

- Injuries can occur when wrongly used, or too loose assembled to the bike.
- Injuries can occur if the bike antenna is used for other purposes than it is made for.
- The bike antenna must not be used in extreme situations.
- Make sure that the bike antenna is properly fitted to the bike.
- The bike antenna is only for use on bicycles or dog scooters.
- It is important to follow instructions on how to assemble the bike antenna correctly: The bungee is not to be assembled in the ring at the end of the bike antenna.

LIFE SPAN AND REPLACEMENT

The life span of the product mainly depends on the type and frequency of use as well as on external influences. Some factors that impact the life span will not be visible if you don't know the history and exposure of the product to environmental and chemical factors (petroleum, oils, lubricants, acids, etc.). When approaching the durability limits or latest at the end of the maximum life span indicated, the product must be removed from use. See figure 3 for estimation of life span for your product.

NO SYKKELANTENNE

FØR BRUK

Les sikkerhetsretningslinjene for Non-stop dogwear sine produkter nøye.

Alle typer bruk av Non-stop dogwear sine produkter som strider med sikkerhetsretningslinjene er uakseptabelt og kan være en trussel for mennesker og hunders liv og helse.

- Forsikre deg om at det ikke er noen skade på sykkelantennen.
- Forsikre deg om at det ikke er noen deformasjoner eller skader på sykkelantennen.
- Forsikre deg om at sykkelantennen ikke synlig slitt, strukket eller skadet.
- Forsikre deg om at sykkelantennen er korrekt festet og riktig justert til sykkelen før bruk, som vist i illustrasjon 1.
- Forsikre deg om at temperaturen ikke er for varm eller for kald før enhver bruk av produktet med hunden din.

UNDER BRUK

Hvis deformasjon eller enhver annen funksjonsfeil på sykkelantennen oppdages må ikke sykkelantennen brukes.

Ved funn av skader på sykkelantennen må ikke sykkelantennen brukes.

ETTER BRUK

- Vask sykkelantennen.
- Sjekk om noen form for svakhet eller skade har oppstått.
- Oppbevar sykkelantennen som beskrevet på nettsiden og i disse sikkerhetsretningslinjene.

ADVARSEL

Dette produktet fra Non-stop dogwear er kun designet for bruk med hunder.

Utfordringer og farer som kan oppstå ved bruk av sykkelantennen:

- Bruk av sykkelantennen som ikke samsvarer med sikkerhetsretningslinjene kan lede til skader.
- Skader kan oppstå ved feil bruk, for eksempel hvis sykkelantennen er for løst festet til sykkelen.
- Skader kan oppstå hvis sykkelantennen brukes til andre formål enn det den er laget for.
- Sykkelantennen må ikke brukes i ekstreme situasjoner.
- Forsikre deg om at sykkelantennen er korrekt justert til sykkelen.
- Sykkelantennen er kun laget for bruk på sykler eller sparkesykler.
- Det er viktig å følge instruksjonene for hvordan sykkelantennen skal festes korrekt: Strikken må ikke festes i ringen i enden av sykkelantennen.

LEVETID OG UTSKIFTNING

Produktets levetid avhenger i hovedsak av brukstype og frekvens, samt eksterne faktorer. Noen av faktorene som kan påvirke levetiden er ikke synlige, hvis du ikke vet historikken og eksponeringen produktet er utsatt for av miljø og kjemikalier (petroleum, oljer, smøremidler, syrer etc.). Når grensen for varighet nærmer seg, og senest ved slutten av den maksimale levetiden som er indikert, må produktet tas ut av bruk. Se fig. 3 for estimert levetid for ditt produkt.

SE CYKELANTENN

FÖRE ANVÄNDNING

Läs säkerhetsriktlinjerna för Non-stop dogwear produkter noggrant

All slags användning av Non-stop dogwear produkter i strid med säkerhetsriktlinjerna är oacceptabelt och kan vara ett hot mot människors och hundars liv och hälsa.

- Se till att det inte finns några skador på cykelantennen.
- Se till att det inte finns någon deformation eller svaghet hos cykelantennen.
- Se till att cykelantennen inte är synligt sliten, sträckt eller skadad.
- Se till att cykelantennen är korrekt fastsatt och korrekt anpassad till cykeln före användning, enligt illustration 1
- Se till att temperaturen inte är för varm eller för kall inför varje aktivitet med din hund.

UNDER ANVÄNDNING

Om deformation upptäcks på cykelantennen eller andra felfunktioner i cykelantennen upptäcks får cykelantennen inte användas.

Om skador upptäcks på cykelantennen, får cykelantennen inte användas.

EFTER ANVÄNDNING

- Rengör cykelantennen.
- Kontrollera om några svagheter eller skador har uppstått.
- Förvara cykelantennen i enlighet med beskrivningen på webbplatsen och enligt säkerhets- och säkerhetsriktlinjerna.

VARNING

Denna Non-stop dogwear produkt är endast avsedd att användas av hundar.

